

# Power For The New Technology

## PS2266

Total Power	1000 Watts
Input Voltages	90-264 VAC
Outputs	One

### SPECIAL FEATURES

- Power density > 5W/ cu in.
- 90-264 VAC input with under voltage lockout
- UL, CSA, BABT Recognized, CE CB pending
- Remote on/off control
- Active PFC compliant to EN61000-3-2
- Fits 3U application
- Droop current share
- Hot pluggable
- Fully protected

### ENVIRONMENTAL

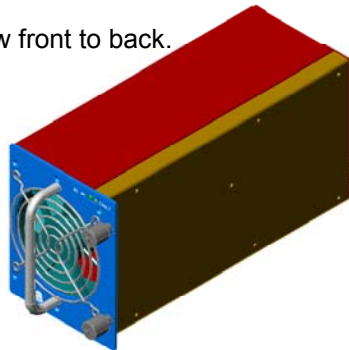
Ambient Operating Temperature: 0 to +50°C, full rating.

Humidity: Up to 95% non-condensing

Temperature coefficient:  $\pm 0.01\%$  / °C

Storage Temperature: -20° to +85°C

Cooling: One 68 CFM fan. Airflow front to back.



### ELECTRICAL SPECIFICATIONS

#### Input

Input.....90 -264 VAC; 47-63Hz;  
Power Factor >0.99

Inrush Current (240 Vac).....80 Amps peak  
Isolation.....4242VDC (Input to Output)

#### Susceptibility specifications:

EN 61000-3-2 AC Input line harmonic limits

Complies with EN55022 & FCC Class A with minimum 6 dB margin

Efficiency.....> 83% typical at full load

#### Output

DC Output.....Maximum continuous output power  
1000 Watts with internal cooling. See Voltage/Current Rating  
Chart.

Load Regulation.....10% (total)

Ripple and Noise < 350mV typical

Transient Response...2% Maximum deviation;

Current Sharing; Drop circuitry.

### MECHANICAL

10" L X 5.2" H X 4.3" W (254 mm X 132 mm X 109 mm)

\*May be installed in 19" rack mountable bay

#### Status signals and indicators

PS Present

DC Power Good

Visual LED indicators identify power supply status.

The indicators are:

DC Good



## PS ELCON CONNECTOR PIN ASSIGNMENT

### **Output**

Over and under voltage protection – (Latching)  
Over current protection (Latching)

Over temperature protection.

Short Circuit Protection.....Will withstand a continuous short without damage.

Minimum Load Rqmt.....0% of full load main output.

No Load Operation.....No damage to supply when operating at no load.

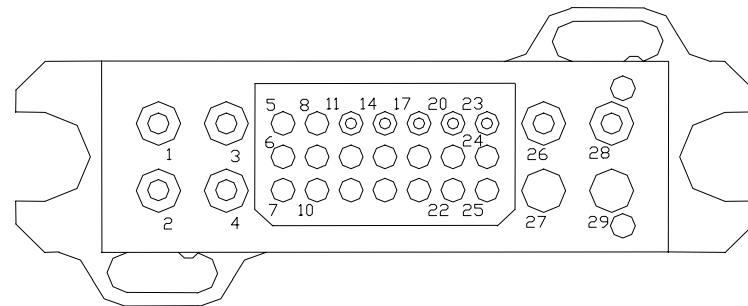
Hold-Up Time.....20 mSec typical

OVP.....63 V typical

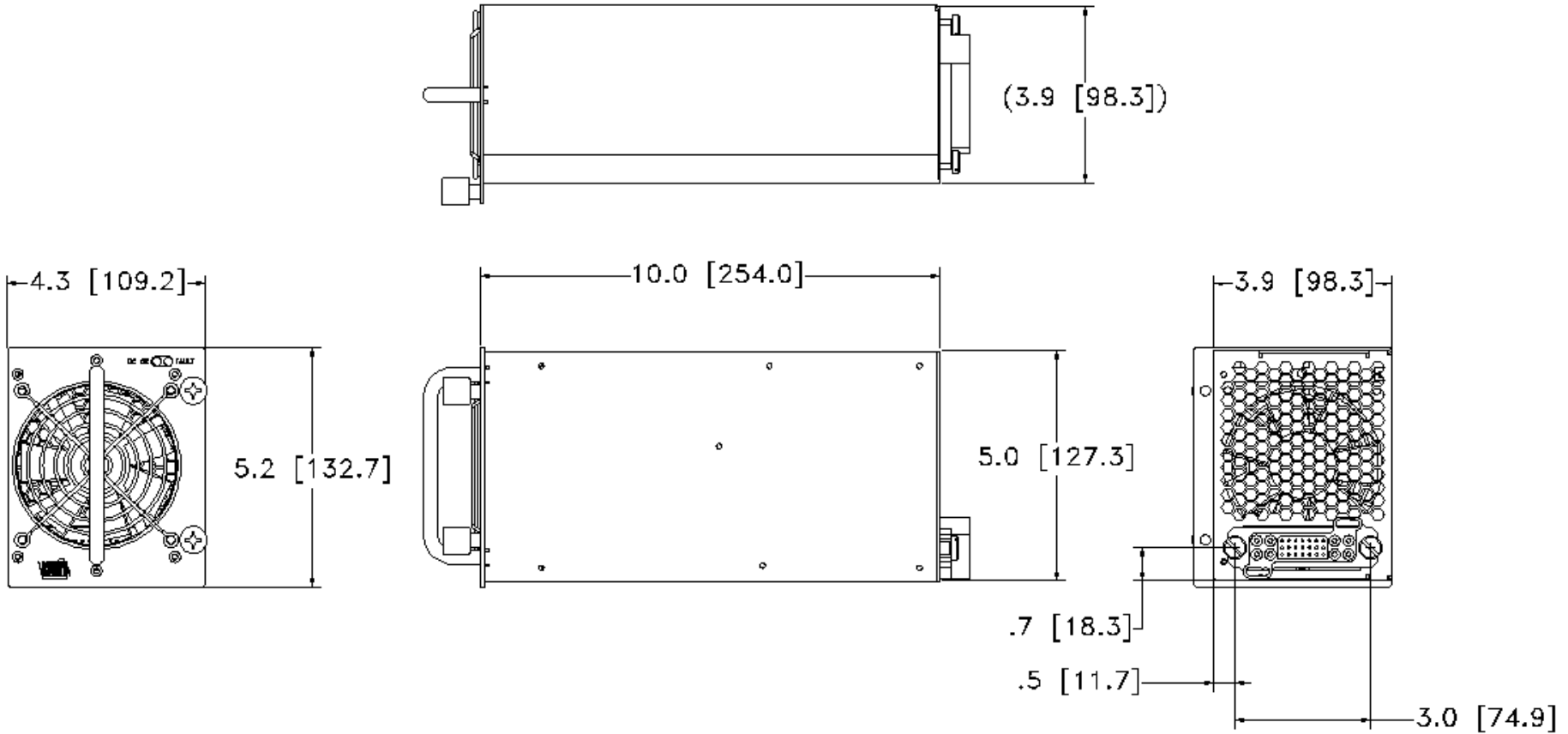
### **Voltage/Current Rating Chart**

Voltage	53V	58V
Current	19A	0A

Description	PIN
Line Ground	1
Line	2
Neutral	4
+54V	26
54V RTN	28
DC OK	23
PS Present	20
Remote ON/ OFF	17
System GND	14
OVP Test	11



# Power For The New Technology



# Power For The New Technology

